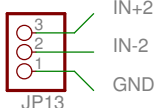
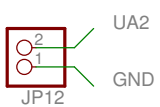


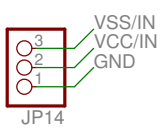
MIC IN



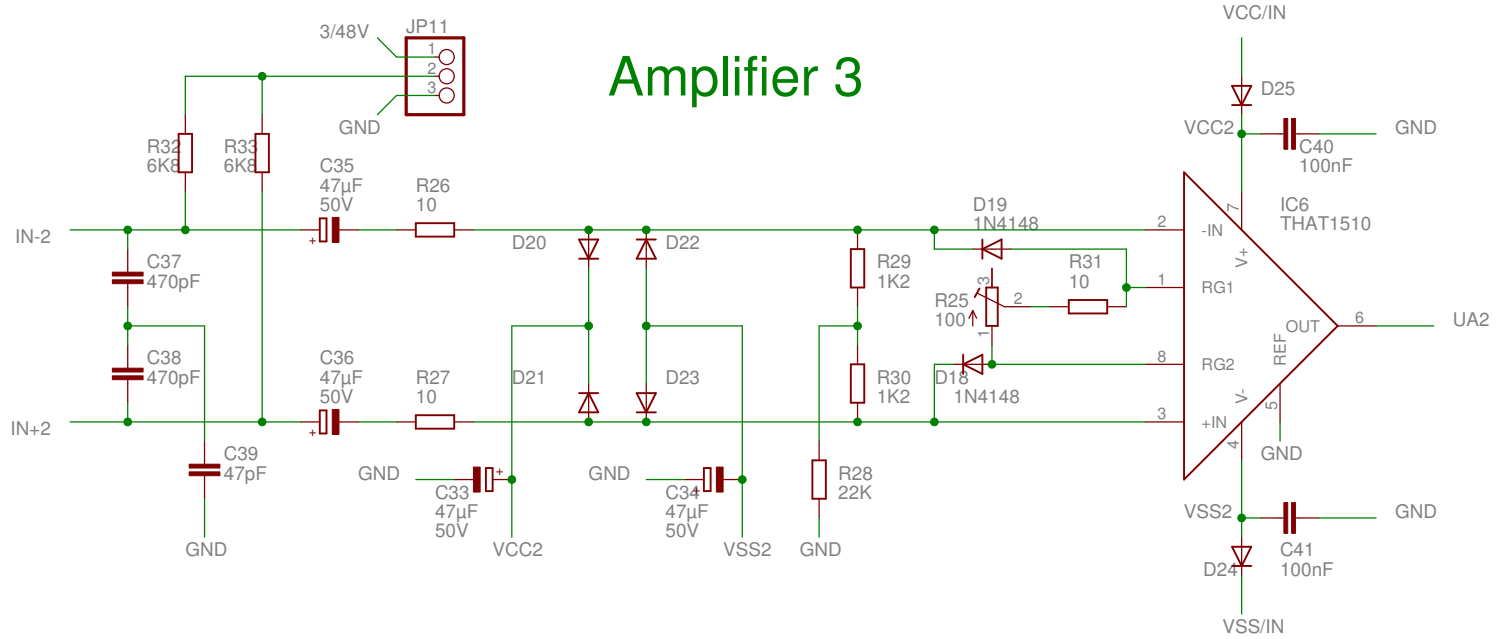
Preamp OUT



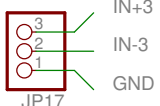
Power Supply



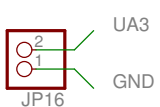
Amplifier 3



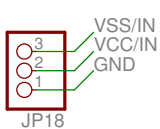
MIC IN



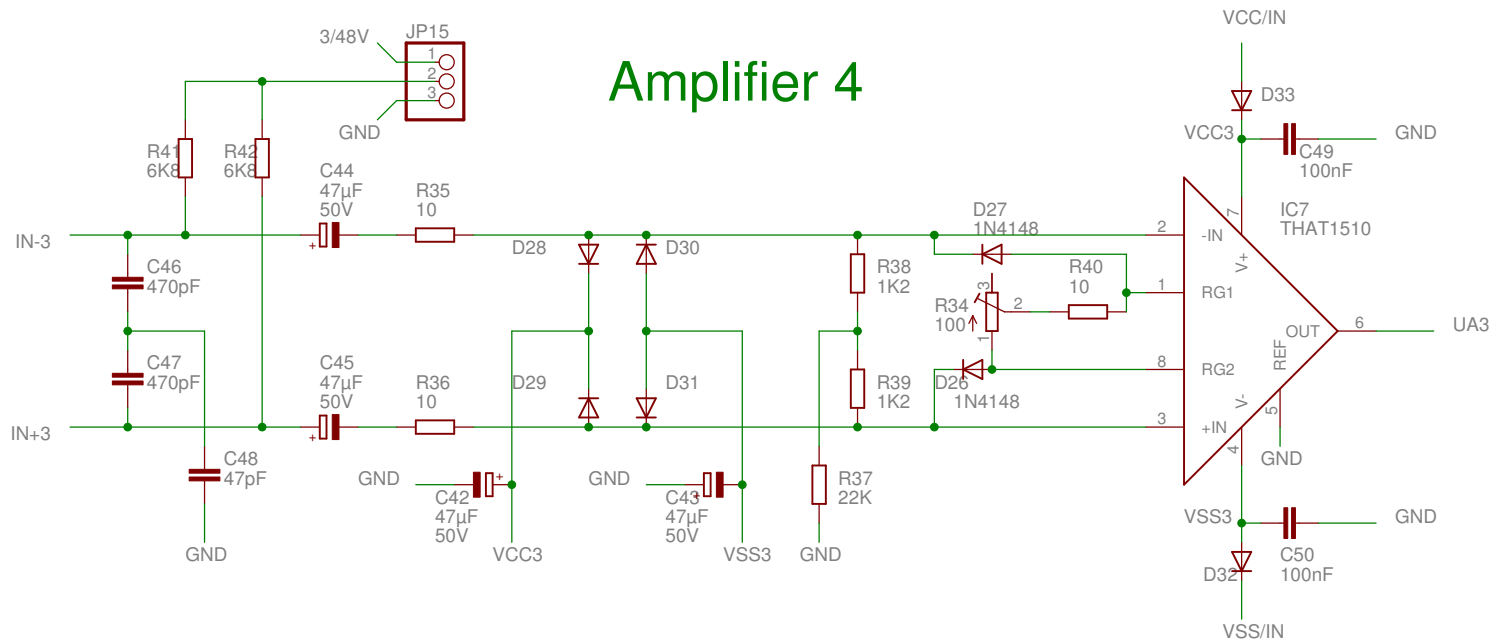
Preamp OUT



Power Supply

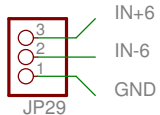


Amplifier 4

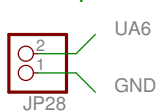


Amplifier 4

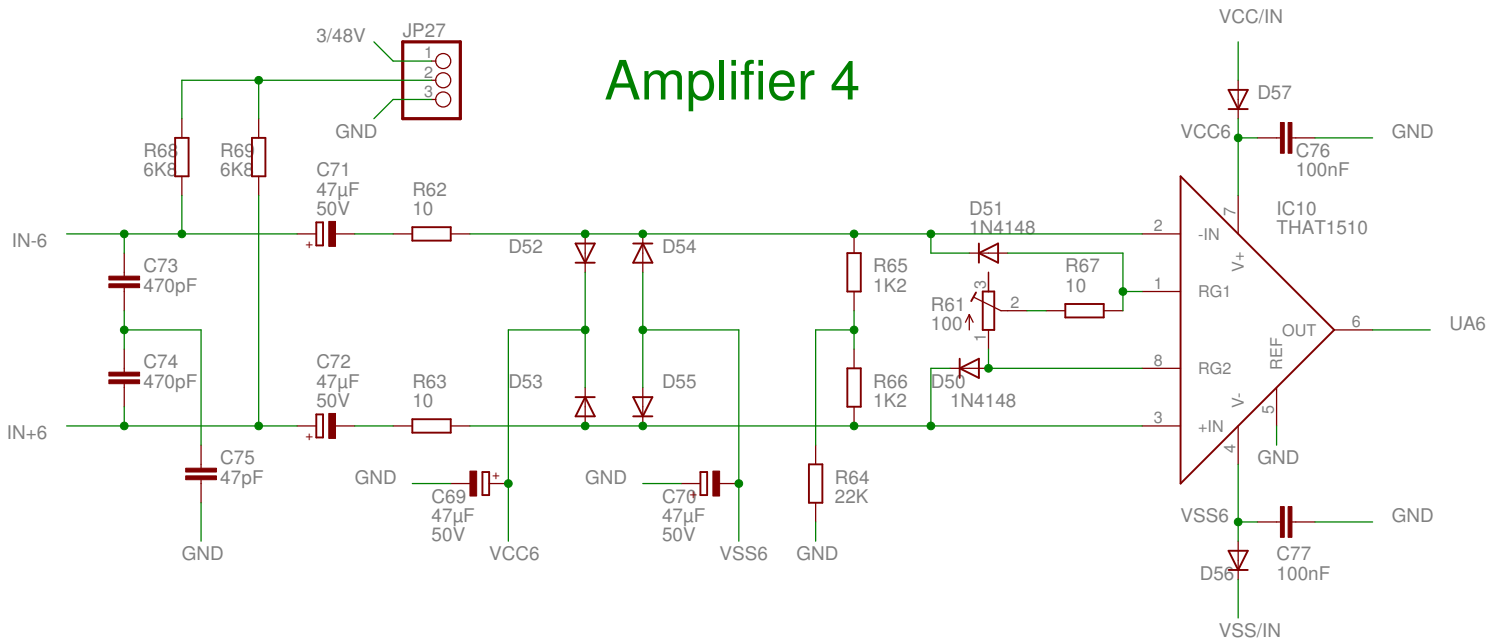
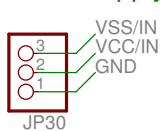
MIC IN



Preamp OUT

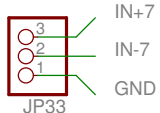


Power Supply

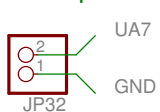


Amplifier 4

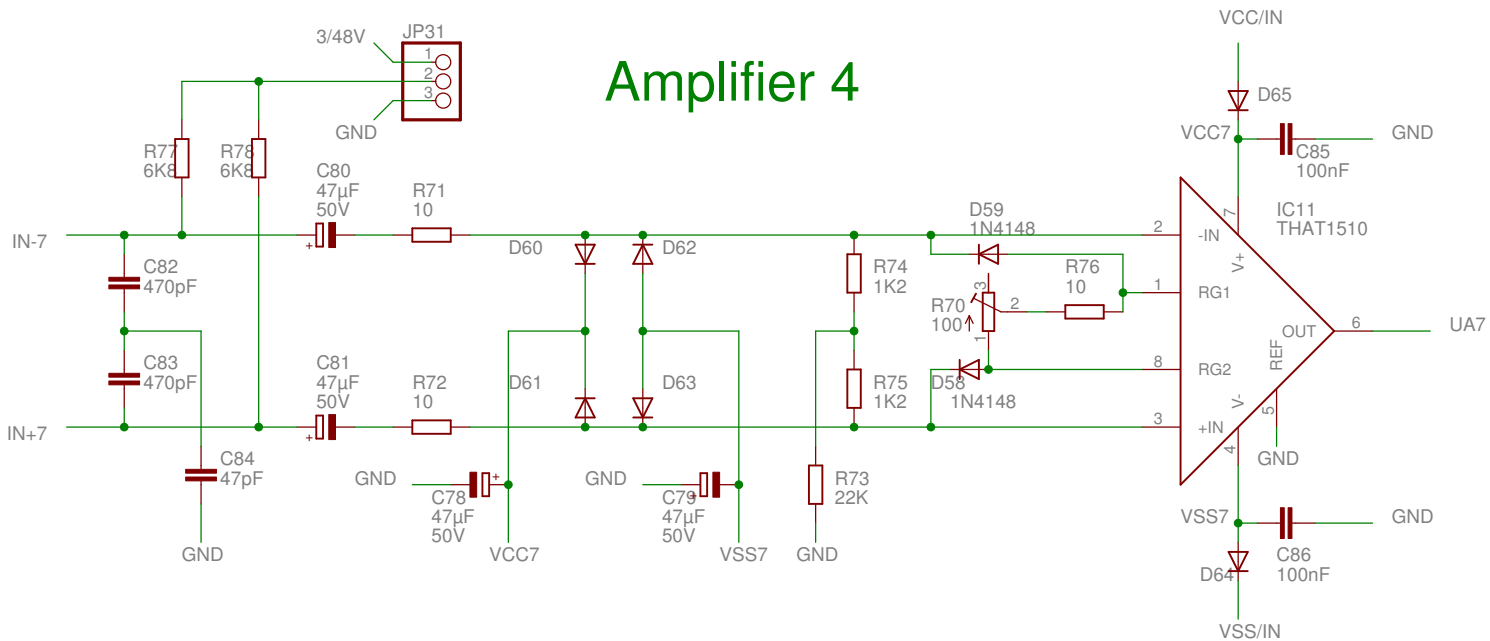
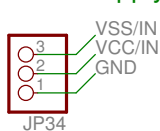
MIC IN



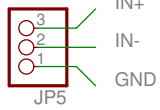
Preamp OUT



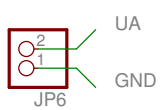
Power Supply



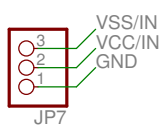
MIC IN



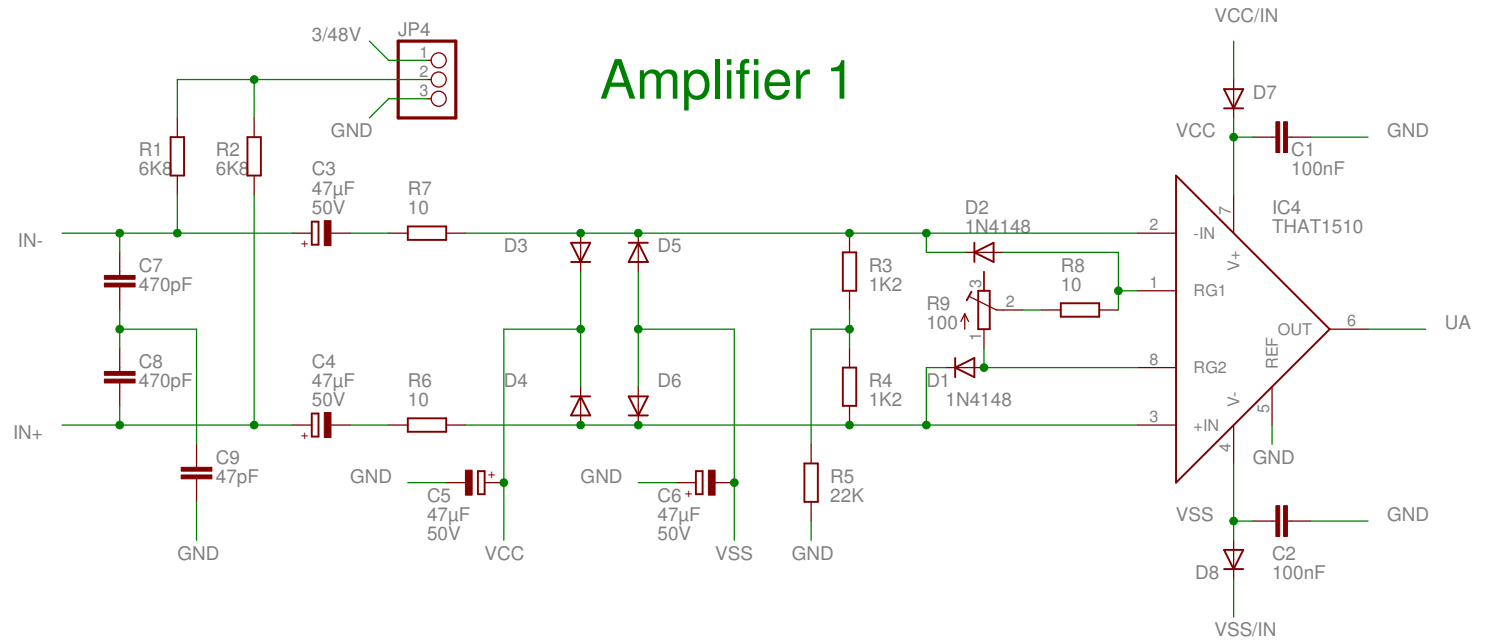
Preamp OUT



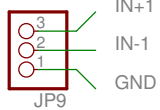
Power Supply



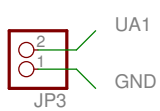
Amplifier 1



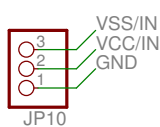
MIC IN



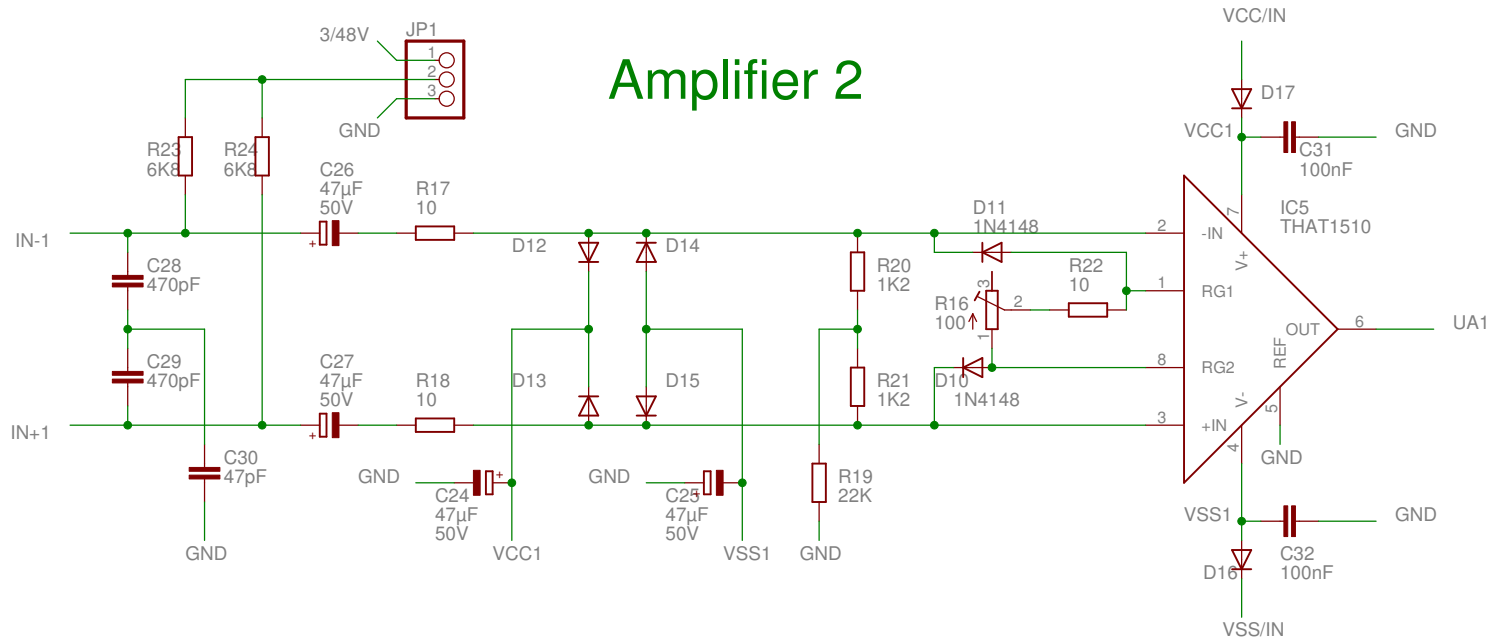
Preamp OUT



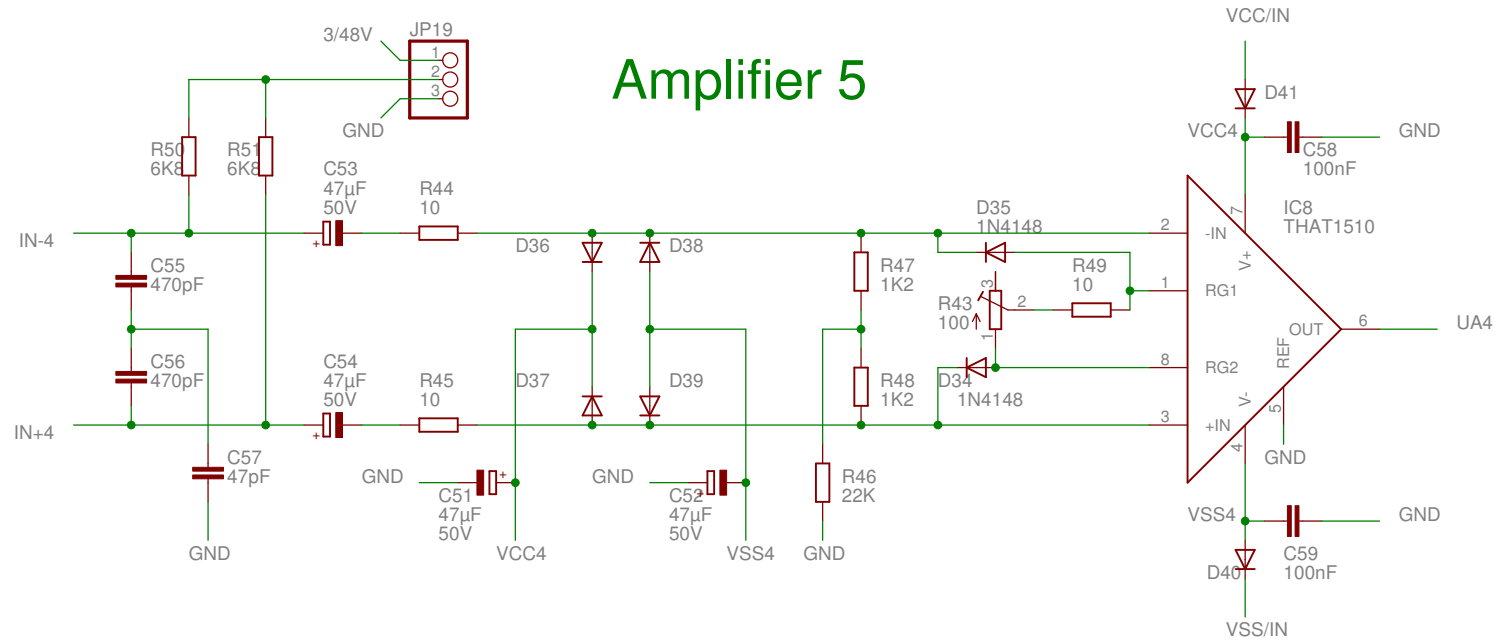
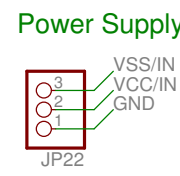
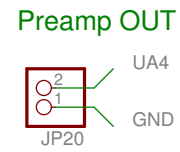
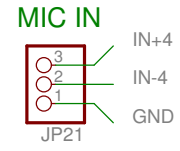
Power Supply



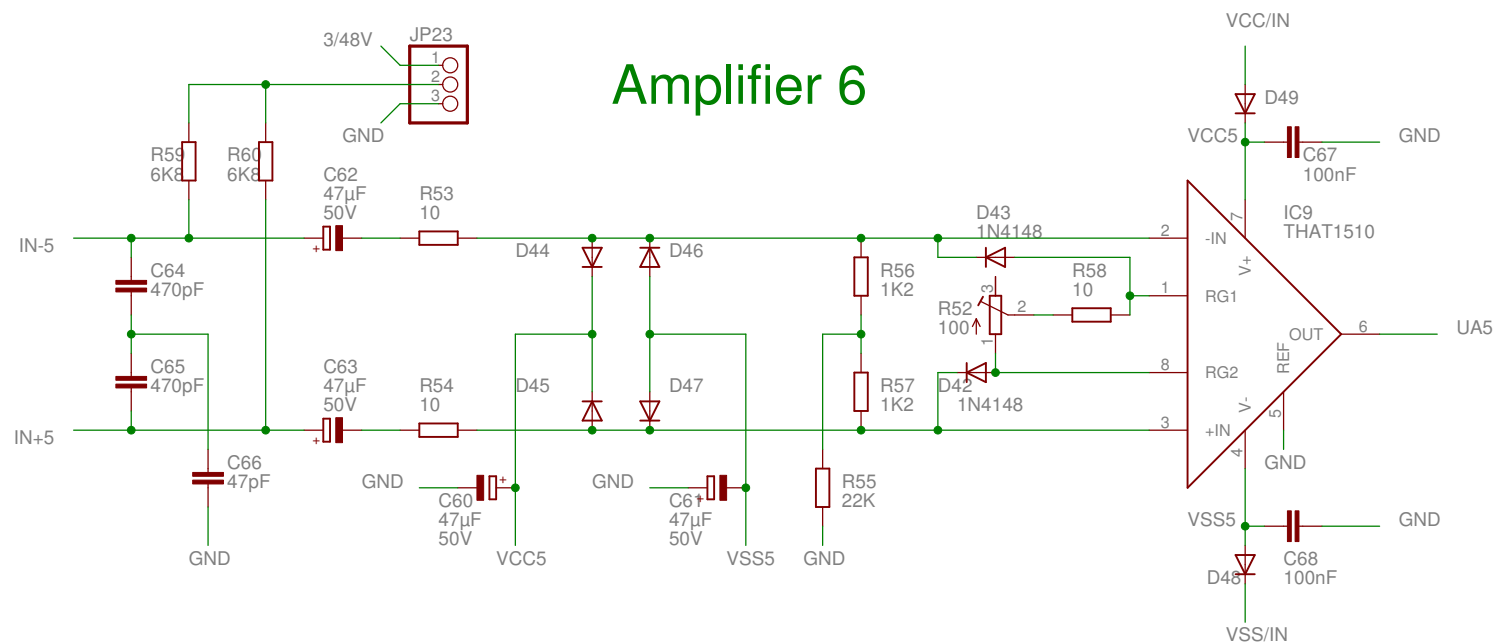
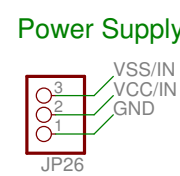
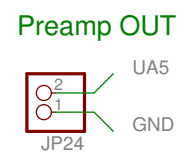
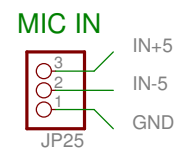
Amplifier 2

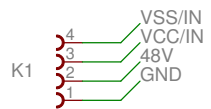


Amplifier 5

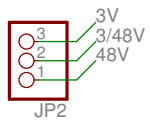


Amplifier 6

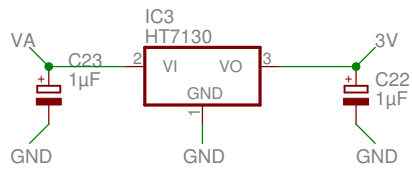




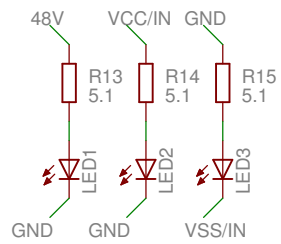
Phantom Power Selekt



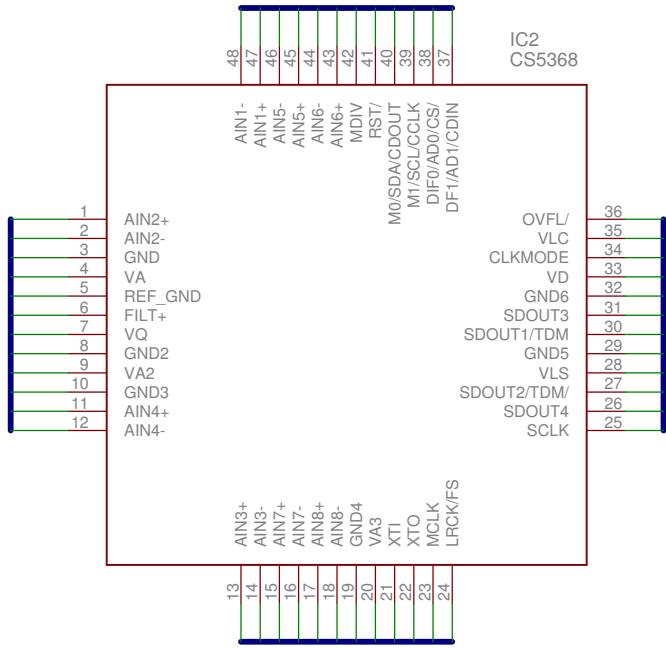
Phantom Power Generation



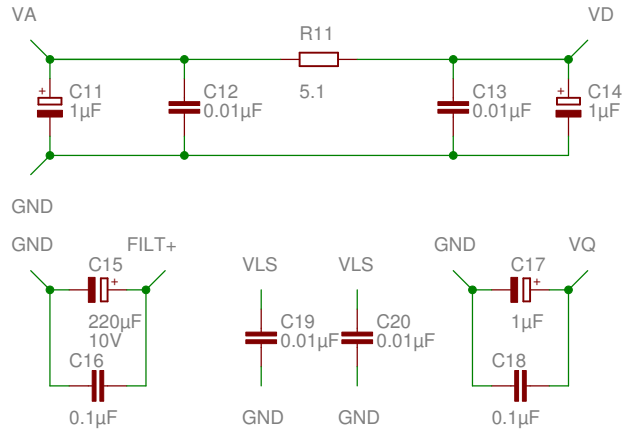
Power LEDs



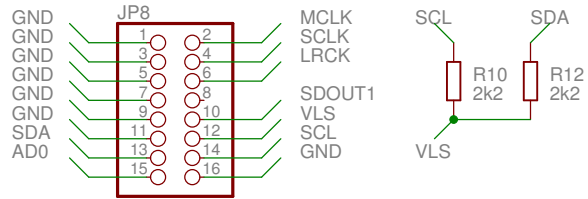
AD Converter



supporting capacitors



TDM, I2C Bus



VA Generation

